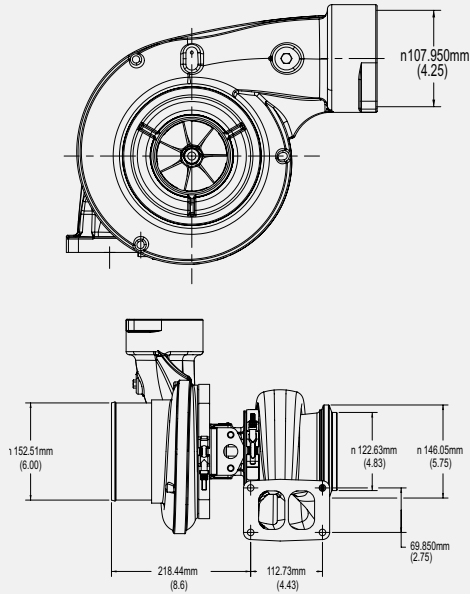


# S410SX

600-900 (HP Turbo-15L Diesel)

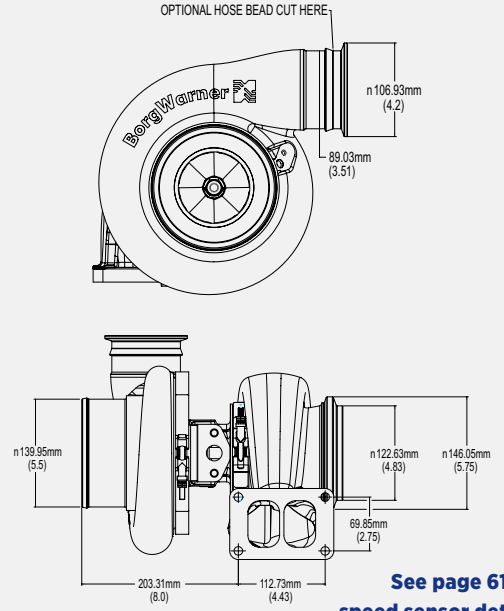
## TURBO FRAME DIMENSIONS



# S410SX

600-750 (HP Turbo-15L Diesel)

## TURBO FRAME DIMENSIONS



See page 61 for speed sensor details

### S410SX – BIG BORE UPGRADE

Turbo	Comp. Wheel O.D. (in)	Comp Wheel O.D. (mm)	Comp Wheel Inducer Dia. (in)	Comp Wheel Inducer Dia. (mm)	Turbine Wheel O.D. (in)	Turbine Wheel O.D. (mm)	Turbine Wheel Exducer (in)	Turbine Wheel Exducer (mm)	Turbine Housing A/R	Super Core	Service Kit (360° thrust bearing)
14969880000	4.14	105.12	3.08	78.28	3.77	95.70	3.47	88.05	1.32	14007100002	14007110003
14969880001	4.32	109.73	3.16	80.30	3.77	95.70	3.47	88.05	1.58	14007100003	14007110003
14969880002	4.32	109.73	3.16	80.30	3.77	95.70	3.47	88.05	1.65 WG	14007100003	14007110003
14969880003	4.32	109.73	3.24	82.20	3.77	95.70	3.47	88.05	1.65 WG	14007100004	14007110003

Super Core	Comp. Wheel O.D. (in)	Comp Wheel O.D. (mm)	Comp Wheel Inducer Dia. (in)	Comp Wheel Inducer Dia. (mm)	Turbine Wheel O.D. (in)	Turbine Wheel O.D. (mm)	Turbine Wheel Exducer (in)	Turbine Wheel Exducer (mm)	Cartridge Assembly	Service Kit (360° thrust bearing)
14007100002	4.14	105.12	3.08	78.28	3.77	95.70	3.47	88.05	14009097002	14007110003
14007100003	4.32	109.73	3.16	80.30	3.77	95.70	3.47	88.05	14009097003	14007110003
14007100004	4.32	109.73	3.24	82.20	3.77	95.70	3.47	88.05	14009097004	14007110003

### S410SX – BIG BORE UPGRADE

Turbo	Comp. Wheel O.D. (in)	Comp Wheel O.D. (mm)	Comp Wheel Inducer Dia. (in)	Comp Wheel Inducer Dia. (mm)	Turbine Wheel O.D. (in)	Turbine Wheel O.D. (mm)	Turbine Wheel Exducer (in)	Turbine Wheel Exducer (mm)	Turbine Housing A/R	Super Core	Service Kit (360° thrust bearing)
14969880004	4.14	105.12	3.08	78.28	3.77	95.70	3.47	88.05	1.32	14007100005	14007110003
14969880005	4.32	109.73	3.16	80.30	3.77	95.70	3.47	88.05	1.58	14007100006	14007110003

Super Core	Comp. Wheel O.D. (in)	Comp Wheel O.D. (mm)	Comp Wheel Inducer Dia. (in)	Comp Wheel Inducer Dia. (mm)	Turbine Wheel O.D. (in)	Turbine Wheel O.D. (mm)	Turbine Wheel Exducer (in)	Turbine Wheel Exducer (mm)	Cartridge Assembly	Service Kit (360° thrust bearing)
14007100005	4.14	105.12	3.08	78.28	3.77	95.70	3.47	88.05	14009097002	14007110003
14007100006	4.32	109.73	3.16	80.30	3.77	95.70	3.47	88.05	14009097003	14007110003

TURBINE HOUSING		Part #	A/R	Inlet Configuration		Notes
		14961019007	1.15	Volute, Twin Flow	T6 Inlet	96mm Turbine Wheel
		171698	1.32			
		14961016101	1.45			
		14961016100	1.58			